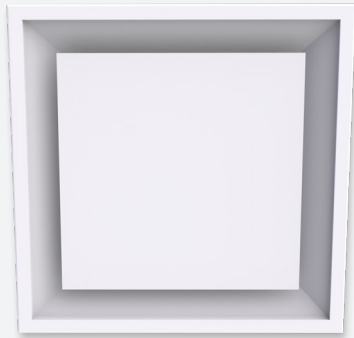


CS400

ARCHITECTURAL CEILING DIFFUSER WITH ADJUSTABLE CORE



VARIANTS

CS400, CS400P, CS410

Architectural aluminium ceiling diffuser with 4 way air pattern and adjustable core for supply and exhaust applications. Airflow can be adjusted in 5 different positions to create a vertical or horizontal airflow (heating/cooling). Standard execution with brackets for substructure assembly but also available for installation in modular ceiling systems.

Clean architectural finish with removable core

Adjustable airflow horizontal/vertical

Suitable for cooling/heating

ACCESSORIES



CS001

TECHNICAL INFORMATION

APPLICATION	Type	Supply or exhaust
	Airflow direction	4-way, adjustable horizontal or vertical
CONSTRUCTION	Frontplate	Square, removable core, adjustable in 5 positions
	Available nominal diameters	Ø100, 125, 160, 200, 250, 315mm
MATERIAL	Standard material	Aluminium, steel front plate
	Standard finishing	Powder coating RAL9010
	Product finishing options	Powder coating RAL of choice
	Spigot	Removable aluminium collar
	Volume control	Aluminium telescopic damper CS001
MOUNTING	Mounting options	With mounting brackets for substructure mounting (CS400) or without brackets for mounting in modular ceiling systems (CS400_P, CS410)

QUICK SELECTION

Supply Q _v [m ³ /h]			L _w		
ØN	Pos.	G [mm]	25 dB(A)	30 dB(A)	35 dB(A)
100	3	5	78	90	104
125	3	5	121	141	165
160	3	5	237	275	319
200	3	5	318	372	436
250	3	5	431	502	584
315	3	5	545	638	747

Supply Q _v [m ³ /h]			L _w		
ØN	Pos.	G [mm]	25 dB(A)	30 dB(A)	35 dB(A)
100	4	0	75	89	106
125	4	0	110	130	154
160	5	-5	188	223	264
200	5	-5	235	284	342
250	5	-5	320	379	448
315	5	-5	377	449	535

EFFECTIVE AIR DISCHARGE AREA

Supply A _k [m ²]			
ØN	Pos.	G [mm]	
100	3	5	0.0053
125	3	5	0.0081
160	3	5	0.0132
200	3	5	0.0183
250	3	5	0.0232
315	3	5	0.0269

Supply A _k [m ²]			
ØN	Pos.	G [mm]	
100	4	0	0.0044
125	4	0	0.0070
160	5	-5	0.0112
200	5	-5	0.0145
250	5	-5	0.0181
315	5	-5	0.0220

PRODUCT KEY

ARCHITECTURAL CEILING DIFFUSER WITH ADJUSTABLE CORE

C	S	4	0	0	-	F	0	2	0	0
<p>Nominal diameter N (mm): 100, 125, 160, 200, 250, 315</p> <p>F: Coated</p> <p>-: Standard</p> <p>0: Without damper 1: With damper CS001</p> <p>0: Substructure mounting, with brackets (CS400-F)</p>										

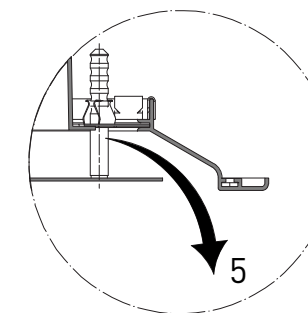
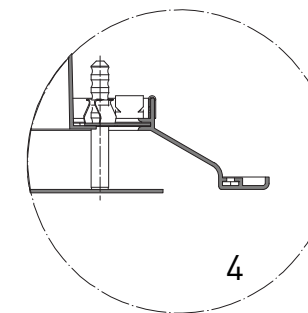
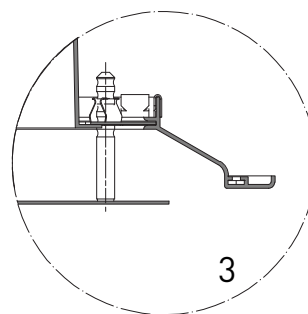
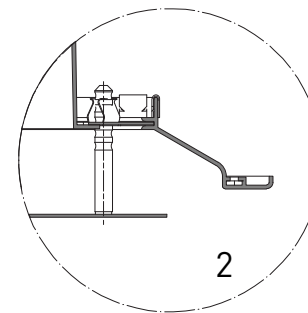
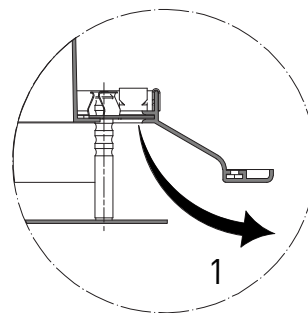
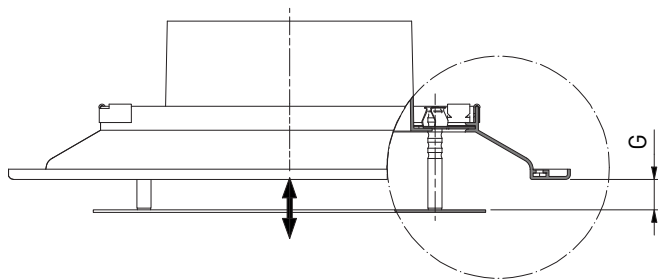
ARCHITECTURAL CEILING DIFFUSER WITH ADJUSTABLE CORE FOR LAY-IN IN MODULAR CEILING SYSTEM

C	S	4	0	0	P	F	0	2	0	0	0	5	9	4	0	5	9	4
<p>Nominal diameter N (mm): 100, 125, 160, 200, 250, 315</p> <p>F: Coated</p> <p>-: Standard (CS410-F) P: Mounted on a panel (CS400PF)</p> <p>0: Without damper 1: With damper CS001</p> <p>0: Lay-in in modular ceiling system, without brackets (CS400PF) 1: Lay-in in modular ceiling system, diffuser sized to ceiling system, without brackets (CS410-F)</p>											<p>Panel length (mm): 594</p>			<p>Panel width (mm): 594</p>				

TELESCOPIC VOLUME CONTROL

C	S	0	0	1	0	2	0	0
<p>Nominal diameter N (mm): 100, 125, 160, 200, 250, 315</p>								

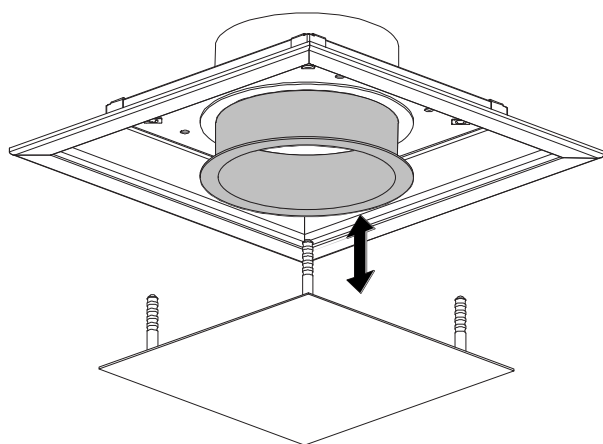
AIRFLOW DIRECTION, POSITION FRONTPLATE



AIRFLOW DIRECTION, POSITION FRONTPLATE

Pos.	G [mm]
1	15
2	10
3	5
4	0
5	-5

CS400 + CS001



DIMENSIONS

ØN	A	A1	A1'	A2	A2'	B	E	F	F1	F1'	T
100	253	179	487	213	554	225	42	31	38	36	20
125	278	194	487	238	554	250	42	31	38	36	20
160	367	260	487	327	554	340	62	46	53	36	20
200	407	290	487	367	554	380	62	46	53	36	20
250	457	330	487	417	554	430	62	46	53	36	20
315	522	385	487	482	554	495	62	46	53	36	20

All dimensions in mm